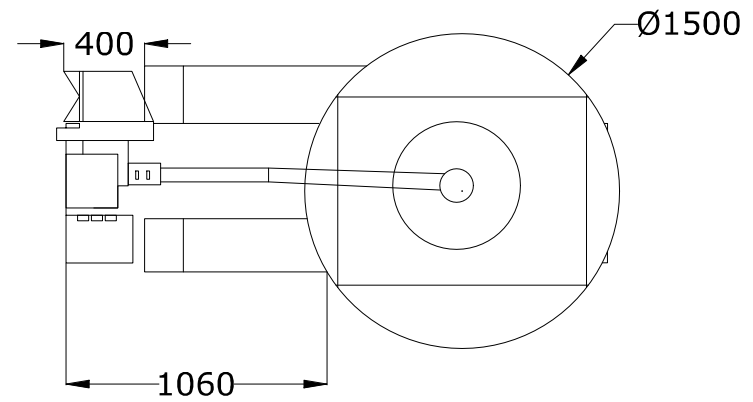



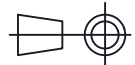
**SIDE VIEW**



**TOP VIEW**

All dimensions are in mm unless specified otherwise.

**MTL-  
THICKNESS- mm  
S/F TREATMENT -**

			ACCURATE MEEZAN TRADING LLC PO BOX ,40646,OFFICE#1909,19th FLOOR, CHURCHILL TOWER 1-COMMERCIAL, BUSINESS BAY, DUBAI-U.A.E					
REFERENCE DRAWING			TITLE	PALLET WRAPPING MACHINE LINE DIAGRAM				
	NAME	DATE	DWG . NO.	AMT-20				
DRAWN BY	PRAKASH	04.04.2026		WEIGH(g)	FORMAT	SCALE	REV	
CHKD. BY	SHW	04.04.2026		2	A3	NTS	00	
APPR. BY	SHW	04.04.2026						