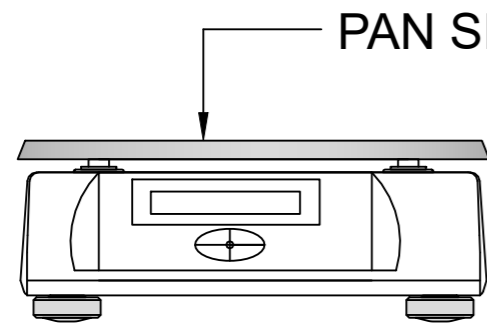
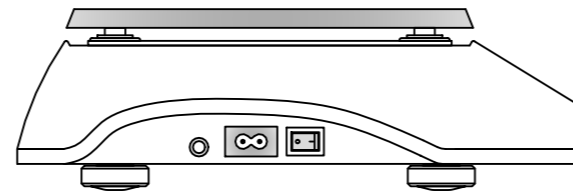


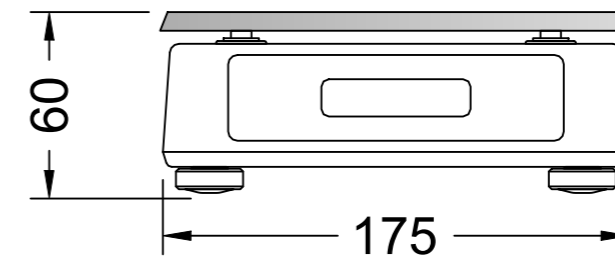
Top View



Front View


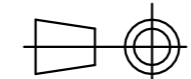


LH Side View



Back View

All dimensions are in mm.

REV. NO.	DATE	DESCRIPTION OF REVISION	DRAWN	CHECKED	APPROVED			
DISCLAIMER: THIS DRAWING IS A PROPERTY OF E.G. KANTAWALLA PVT.LTD. MODIFICATION OR REPLICATION WITHOUT CONSENT IS AN OFFENCE. THE DRAWING IS SUBJECTED TO CHANGE WITHOUT ANY PRIOR NOTICE.		ACCURATE MEEZAN TRADING LLC  PO BOX ,40646,OFFICE#1909,19th FLOOR, CHURCHILL TOWER 1-COMMERCIAL, BUSINESS BAY, DUBAI-U.A.E						
REFERENCE DRAWING	TITLE		LCD B3000/6000					
	NAME	DATE	DWG. NO.	AMT-02				
DRAWN BY	PNS	06/03/26		WEIGHT (Kg)	FORMAT	SCALE	SHEET NO.	REV.
CHKD. BY	SHW	06/03/26		2.1	A4	NTS	1 of 1	00
APPR. BY	SHW	06/03/26						

5

6

7

8

F

G