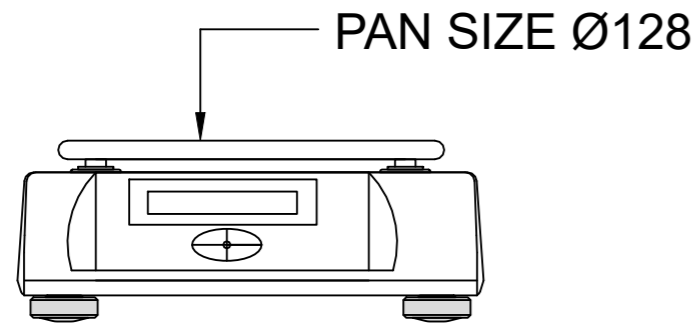
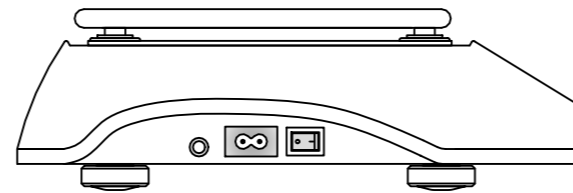


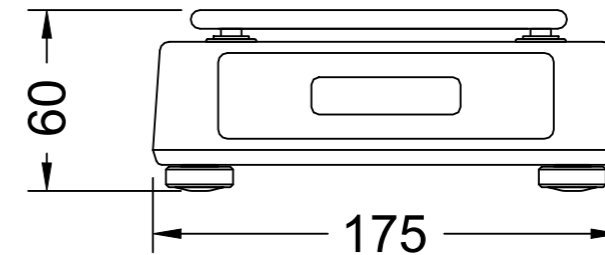
Top View



Front View




LH Side View



Back View

All dimensions are in mm.

REV. NO.	DATE	DESCRIPTION OF REVISION	DRAWN	CHECKED	APPROVED
DISCLAIMER: THIS DRAWING IS A PROPERTY OF E.G. KANTAWALLA PVT.LTD. MODIFICATION OR REPLICATION WITHOUT CONSENT IS AN OFFENCE. THE DRAWING IS SUBJECT TO CHANGE WITHOUT ANY PRIOR NOTICE.		<b>ACCURATE MEEZAN TRADING LLC</b>  PO BOX ,40646,OFFICE#1909,19th FLOOR, CHURCHILL TOWER 1-COMMERCIAL, BUSINESS BAY, DUBAI-U.A.E			
REFERENCE DRAWING	TITLE		LCD A-600/1000/2000		
	DWG. NO.	AMT-01			
	NAME	DATE	WEIGHT (Kg)	FORMAT	SCALE
DRAWN BY	PNS	06/03/26	2.1	A4	NTS
CHKD. BY	SHW	06/03/26			SHEET NO.
APPR. BY	SHW	06/03/26			1 of 1
					REV.
					00

5

6

7

8