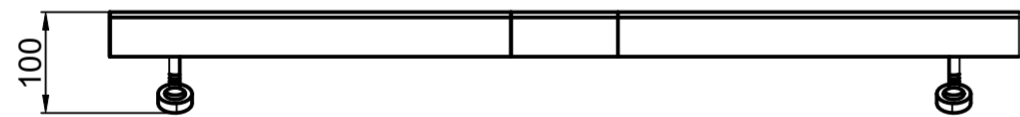
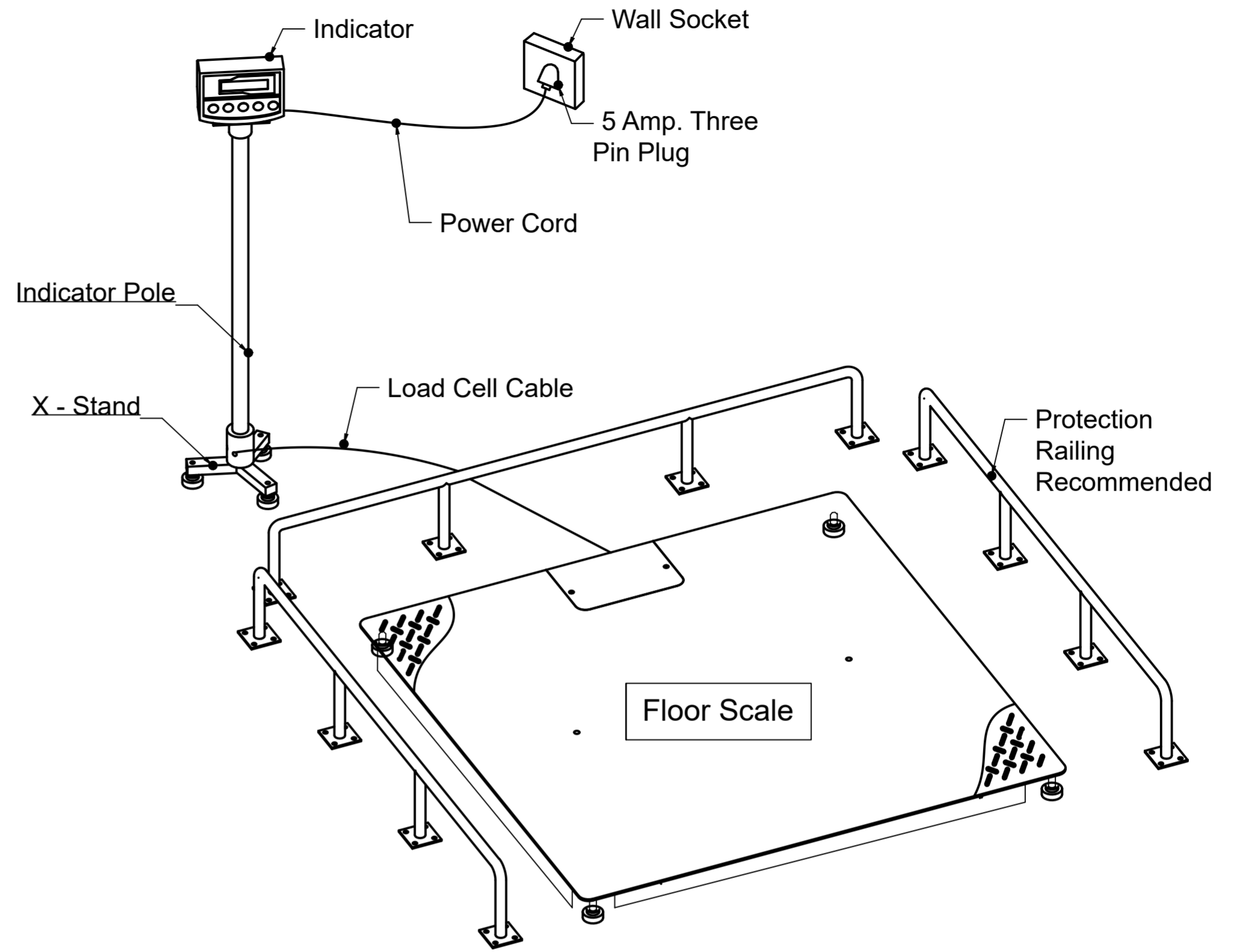


Top View


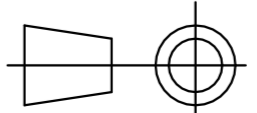


Side View



Note : The above protection railing is recommended for protecting the scale from over-stacking of material and also for protection from accidental overloading by vehicular movements.

All dimensions are in mm unless specified otherwise.

REV. NO.	DATE	DESCRIPTION OF REVISION	DRAWN	CHECKED	APPROVED			
DISCLAIMER: THIS DRAWING IS A PROPERTY OF E.G. KANTAWALLA PVT.LTD. MODIFICATION OR REPLICATION WITHOUT CONSENT IS AN OFFENCE. THE DRAWING IS SUBJECTED TO CHANGE WITHOUT ANY PRIOR NOTICE.		ACCURATE MEEZAN TRADING LLC 						
REFERENCE DRAWING		PO BOX ,40646,OFFICE#1909,19th FLOOR, CHURCHILL TOWER 1-COMMERCIAL, BUSINESS BAY, DUBAI-U.A.E						
		TITLE	LINE DIAGRAM FOR FLOOR SCALE 1500 x 1500					
		DWG. NO.	AMT-10					
DRAWN BY	PNS	06/03/26		WEIGHT (Kg)	FORMAT	SCALE	SHEET NO.	REV.
CHKD. BY	SHW	06/03/26			A2	NTS	1 of 1	00
APPR. BY	SHW	06/03/26						