

## LITHIUM PALLET TRUCK

# EPT15H/EPT20H

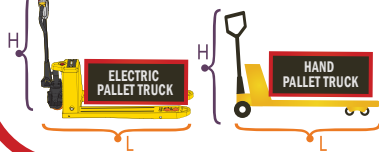
**24** HOURS  
BUILT TO WORK



**SMART POWERFUL DURABLE**

**SMART SIZE**

ALMOST SAME

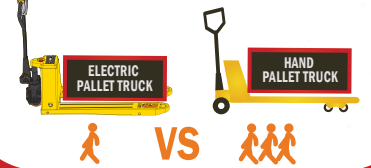


**LIGHT WEIGHT**



**EFFICIENCY**

3 Times Higher Than Manual Pallet Truck



**EASY MAINTENANCE**

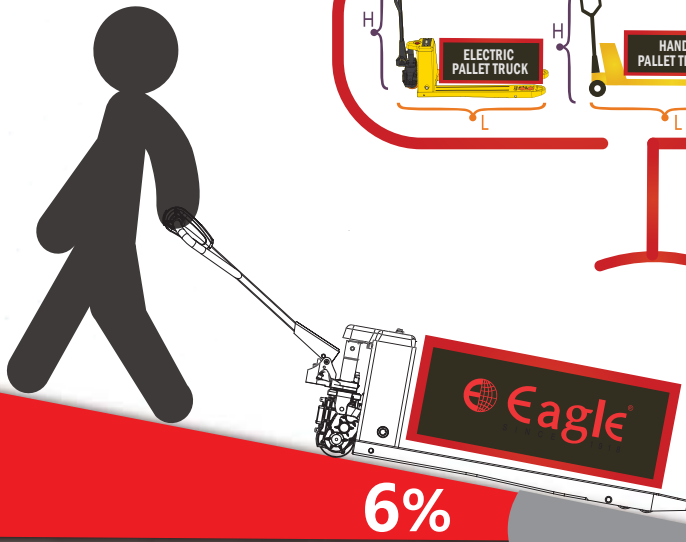


**LIFETIME**

3 Times Longer Than Manual Pallet Truck



1 PC VS 3 PCS



HIGH RETURN OF INVESTMENT

**Safety**

**PRODUCTIVE**

1 MONTH COST  
RECOVERY

Optimize  
your operations  
**SAVE LABOUR**  
Release manpower  
Brake any time anywhere

## Powerful With High Gradeability



### Unique brushless technology

Brushless motor, powerful and maintenance free.  
Leading in the industry.



**750W/1000W power**  
Brushless motor  
Maintenance free



**Powered traveling**



**Powered lifting & lowering**

### Maintenance free

For brushed motor, carbon brush needs to be replaced every 12 or 18 months.  
For EPT15H, no need to replace carbon brush.  
Maintenance-free, saving maintenance time and cost.

### Powerful with high gradeability

To easily move 1.5 ton or 2 ton over the slopes at warehouse entrances.



Traveling Speed

— **UNLADEN 4.5km/h**  
+ **LADEN 4km/h**



**Gradeability**



## Non-stop Working

### 6s to replace battery



Maintenance-free lithium battery  
It takes only 6s to replace battery.  
With a spare battery, the unit can keep working 24 hours.

### Short charging time Charge and use freely

Quick charging: 2 hours to fully charge the battery.

### Ensured battery safety

Safe and reliable, no fire, no explosion.  
Complying with IEC, UL global standard certification requirements,  
ensuring the safety of user property.

- Long service life: lithium battery with a long service life.
- High safety performance: it adopts soft package battery technology, built-in protection board and multiple protection to eliminate overcharge and overdischarge.
- Maintenance free: no need to add water.



## Compact and durable

### Solid build, no breaking

Chassis made by solid materials, no bending, no deformation.  
Reinforced rocker arm, push rod, wheel frame and support seat.  
No plastic part, less damage.

### Most compact unit with same lifting capacity

Suitable for small workplaces such as compact workshops,  
trucks or vans, tail lifts or elevators.  
EPT15H has the smallest turning radius among similar products.

### Integral forks, no splicing

The forks are uniquely designed, easy to handle European  
pallets, American pallets and plastic pallets.  
Solid fork with no deformation, far more durable than other  
brands of the same category.

**Solid build  
No breaking**

**Top cap thickness**

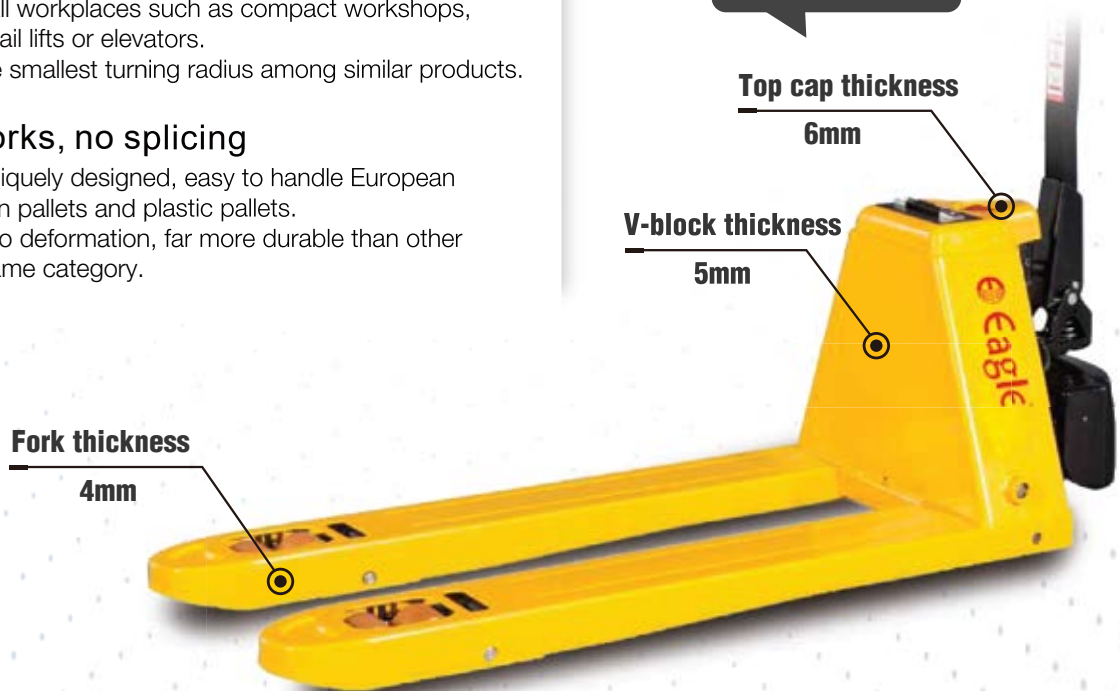
6mm

**V-block thickness**

5mm

**Fork thickness**

4mm



## Intelligent Control

When you're moving heavy loads in tight spaces, maneuverability and controllability are critical to ensure safety, productivity and comfort.

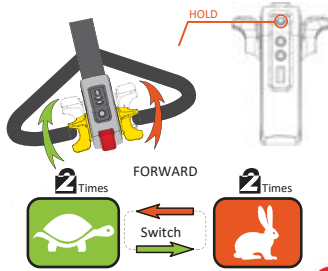
The core concept of EAGLE products is to make your job easier. With the ergonomically designed handle, EPT15H is easy to operate, reduces fatigue and improves work efficiency. Compared to other brands, users prefer to use EAGLE EPT series.



### Operator Preferred

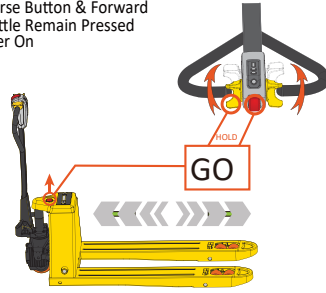
#### 01 Turtle Speed

Horn Remains Pressed & Forward 2 times



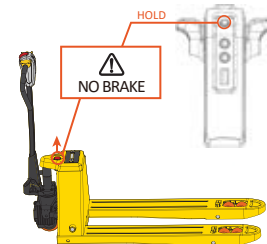
#### 02 Up-Right Drive

Reverse Button & Forward Throttle Remain Pressed Power On



#### 03 Engineering Mode (Brake Release)

Horn Remains Pressed Power On



- ⚠ In up-right drive mode, vehicle will move when handle is operated at any position. Please avoid misoperation.
- ⚠ Brake release mode is only for emergencies, not allowed for vehicle with normal conditions.

#### Comfortable Operation

Easy to operate  
Ergonomic handle, comfortable to use.

#### Leading Technology

CanBus technology is applied on this entry-level electric pallet truck.

#### Fast And Slow Speed

To match different levels of operator experience, and varied work environments.

#### Up-right Drive Mode

Convenient to operate in vans, on tail lifts, or inside elevators.

#### Engineering Mode

When the unit breaks down, it can be moved away manually.



- Recharge alert
- Hour meter
- Powered traveling
- Powered lifting & lowering
- Error code display
- Emergency stop button
- Horn

#### Slope anti-sliding design

Easy parking on slopes, preventing accidental backing of the machine.

## Easy Maintenance

EPT series utilizes STAXX's integrated diagnostics, error code display and STAXX's original service mini-program to facilitate quick problem resolution.

### Easy parts replacement

The unique design makes disassembly and assembly simple, reducing machine downtime and operating costs.

- 1 minute  
Replace the drive wheel
- 1 minute  
Replace the handle
- 2 minutes  
Remove the controller
- 3 minutes  
Remove the motor



#### Error Code Display

Quickly identify the fault during operation.



#### Specialized service website & mini-program

Users can identify the fault based on the online troubleshooting videos. No limit on time, no limit on location. Easy access to the most professional solution to all possible truck failures.



#### Professional after-sales support

Specialist guidance is a phone call away.

## Ready to Handle Multiple Jobs

With its unique design, EPT series is powerful and maneuverable to meet the application in a wide range of working conditions.



Warehouses/Logistics center



Truck tail lift



Supermarket

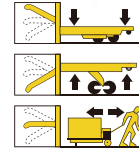
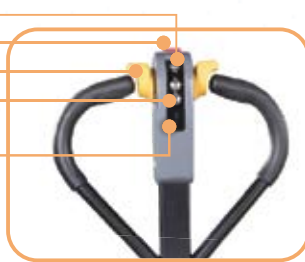
Pallet trucks are a necessary investment. Choosing the wrong machine could cause loss in productivity, high cost of machine downtime, unhappy workers, and overall, increased running costs. Choosing EPT series will reward you with long-term value.

### EAGLE EPT Series

- Powerful
- Durable
- Easy maintenance
- Low use cost
- High return on investment

# Basic Configuration

- Horn
- Emergency reverse button
- Forward/reverse butterfly switch
- Lifting / Lowering
- LCD Screen
- Battery indicator with hour meter
- Error code display
- Recharge alert



Multi-function Ergonomic Handle (Semi-electric)

Multi-function Handle (Full Electric)

- Key button
- Upright driving button
- Max speed setting button
- Horn button



Intelligent Control Key



EPT15/20H-65L

EPT15/20H



Tandem/Single PU wheel



**Low profile forks**

Lowered fork height: 65mm  
Standard model: 82mm



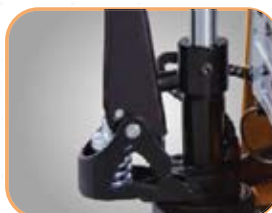
**Protection cover**  
Protect the drive motor,  
Anti-foot stamping



Lithium Battery



Intelligent charger



Electric lifting/lowering



Manual lifting/lowering

## Optional Configuration

- Key button
- Upright driving button
- Max speed setting button
- Horn button



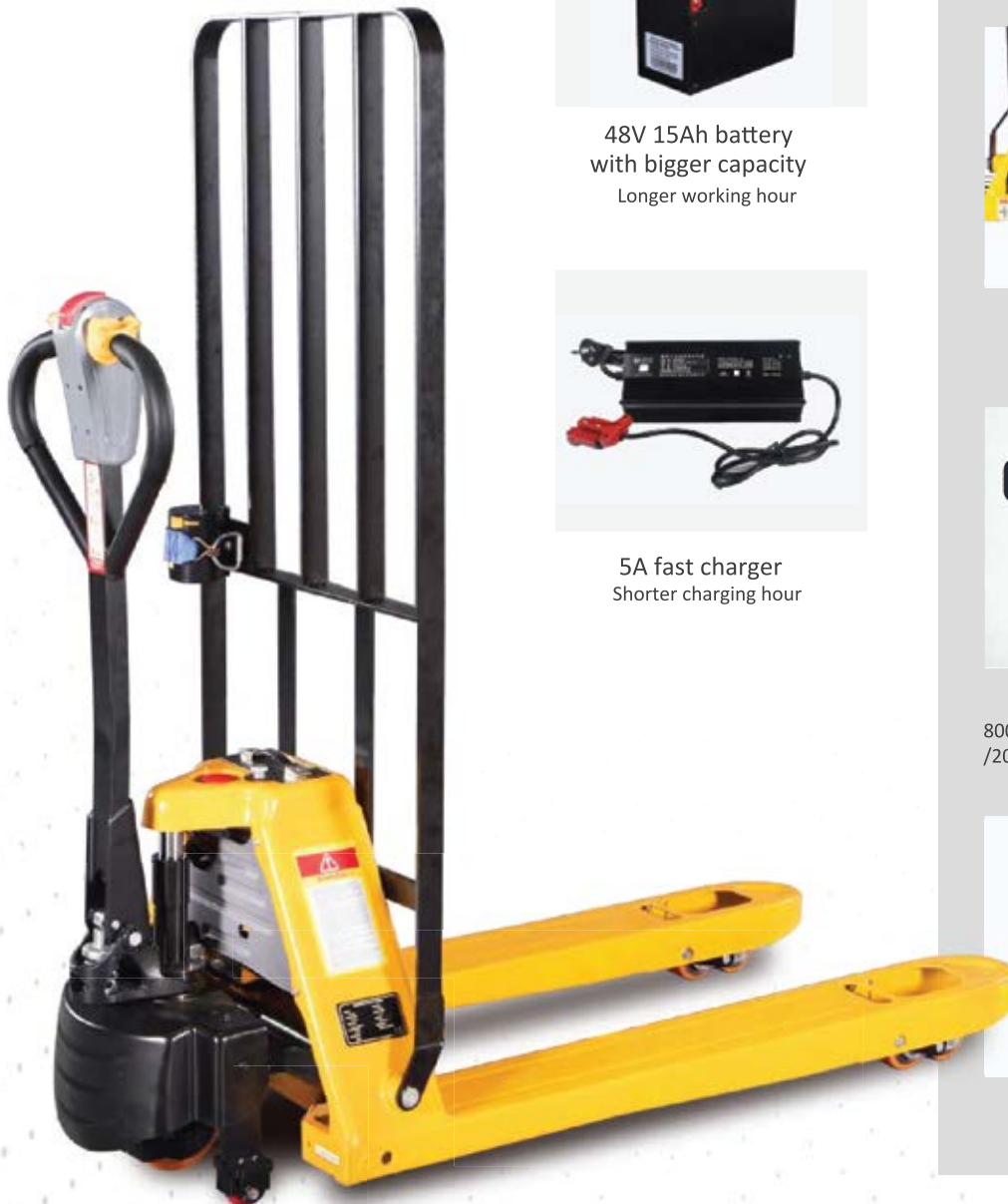
Intelligent Control Key



48V 15Ah battery  
with bigger capacity  
Longer working hour



5A fast charger  
Shorter charging hour



### Load backrest

When goods are stacked high, the load backrest can prevent it from falling, ensuring user safety.



### Balance wheel

Available on EPT15H



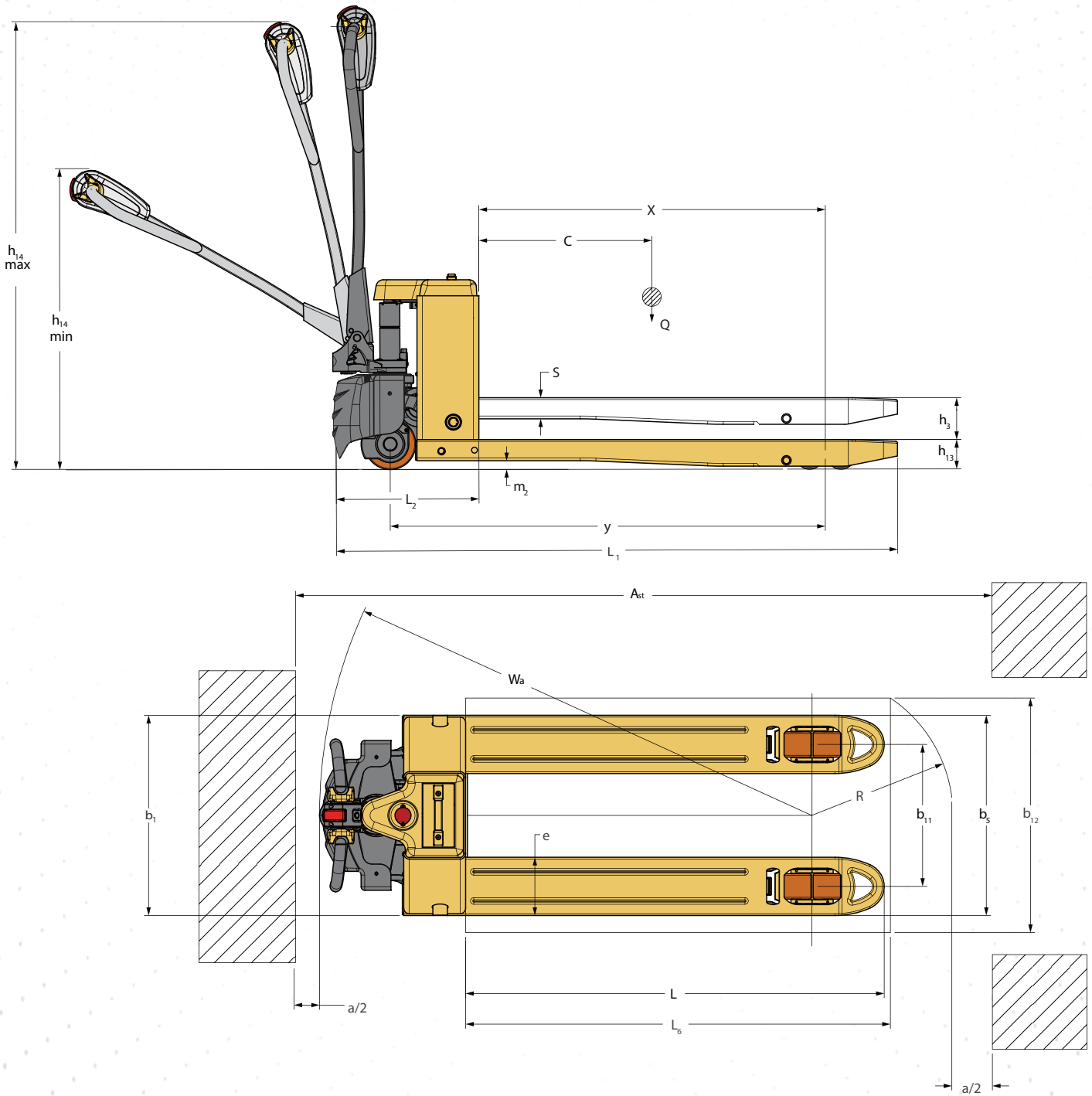
### Fork length

800/900/1150/1220/1500/1800  
/2000mm fork length options



Wrapping film holder

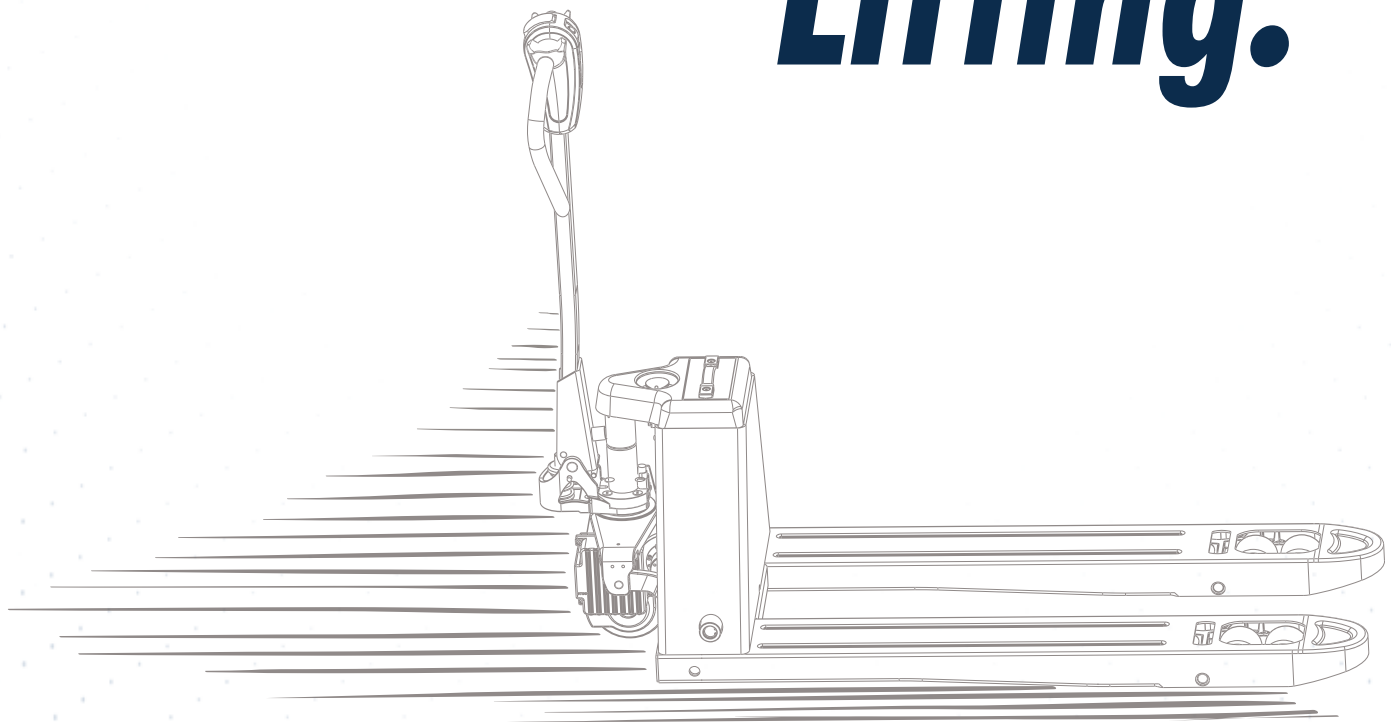
## Dimensions



# Specifications

MODEL		PPT20H	EPT15H	EPT20H	EPT15H-65L	EPT20H-65L
<b>CHARACTERISTICS</b>						
1.1	Drive	Electric	Electric	Electric	Electric	Electric
1.2	Operator type	Pedestrian	Pedestrian	Pedestrian	Pedestrian	Pedestrian
1.3	Load capacity/rated load	Q kg	2000	1500	2000	1500
1.4	Load centre	C mm	600	600	600	600
1.5	Height, fork lowered	h <sub>13</sub> mm	82 ± 2	82 ± 2	82 ± 2	65 ± 2
1.6	Wheelbase	y mm	1197/1267	1197/1267	1197/1267	1197/1267
1.7	Wheel		PU	PU	PU	PU
1.8	Wheel size, front	mm	140*55	140*55	140*55	140*55
1.9	Wheel size, rear	mm	80*93 (Single Wheel)	80*93 (Single Wheel)	80*93 (Single Wheel)	60*93 (Single Wheel)
		mm	80*70 (Tandem)	80*70 (Tandem)	80*70 (Tandem)	60*70 (Tandem)
1.10	Wheels, number front/rear (x = drive wheels)		1x+2/4	1x+2/4	1x+2/4	1x+2/4
1.11	Lift	h <sub>3</sub> mm	115	115	115	100
1.12	Height of tiller in drive position, min./max.	h <sub>14</sub> mm	735/1170	735/1170	735/1170	735/1170
1.13	Overall length	L <sub>1</sub> mm	1552/1622	1552/1622	1552/1622	1566/1636
1.14	Fork Length	L mm	1150/1220	1150/1220	1150/1220	1150/1220
1.15	Overall width	b <sub>1</sub> mm	550/685	550/685	550/685	550/685
1.16	Fork dimensions	mm	58/160/1150(1220)	58/160/1150(1220)	58/160/1150(1220)	45/160/1150(1220)
1.17	Distance between fork-arms	b <sub>5</sub> mm	550/685	550/685	550/685	550/685
1.18	Ground clearance, centre of wheelbase	m <sub>2</sub> mm	22/137(24/139)	22/137(24/139)	22/137(24/139)	16.5/116.5(17.2/117.2)
1.19	Aisle width for pallets 1000x1200 crossways	A <sub>st</sub> mm	2376	2376	2376	2376
1.20	Aisle width for pallets 800x1200 lengthways	A <sub>st</sub> mm	2257	2257	2257	2257
1.21	Turning radius	W <sub>a</sub> mm	1353/1426	1353/1426	1353/1426	1353/1426
<b>PERFORMANCE</b>						
2.1	Travel speed, laden/unladen	km/h	4.0/4.5	4.0/4.5	4.0/4.5	4.0/4.5
2.2	Lifting speed, laden/unladen	mm/s	/	18/23	18/23	18/23
2.3	Lowering speed, laden/unladen	mm/s	/	56/46	56/46	56/46
2.4	Max. gradeability, laden/unladen	%	6%/20%	6%/20%	6%/20%	6%/20%
2.5	Drive motor	kW	DC 1.0 Brushless	DC 0.75 Brushless	DC 1.0 Brushless	DC 0.75 Brushless
2.6	Lift motor	kW	Hydraulic	DC 0.8	DC 0.8	DC 0.8
<b>BATTERY</b>						
3.1	Battery voltage/nominal capacity	V/Ah	48V/10Ah(48V/15Ah)	48V/10Ah(48V/15Ah)	48V/10Ah(48V/15Ah)	48V/10Ah(48V/15Ah)
3.2	Traveling brake		Regenerate	Regenerate	Regenerate	Regenerate
3.3	Brake		Electromagnetic	Electromagnetic	Electromagnetic	Electromagnetic
3.4	Sound level at the driver's ear according to EN 12053	A	< 70dB	< 70dB	< 70dB	< 70dB
3.5	Service weight including battery	kg	117/123.5	116.5/123	119/125.5	116.5/123

# *Unstoppable* *Lifting.*



Marketed by:

**Accurate Meezan Trading LLC**

P.O.Box: 40646, Office # 1909, 19th Floor,  
Churchill Tower 1 - Commercial, Business Bay, Dubai - U.A.E  
Tel.: +971 4 3337789 / +971 4 3337790 Fax: +971 4 3336210  
Email: info.amt@egkantawalla.com

Name & Address of Dealer:

