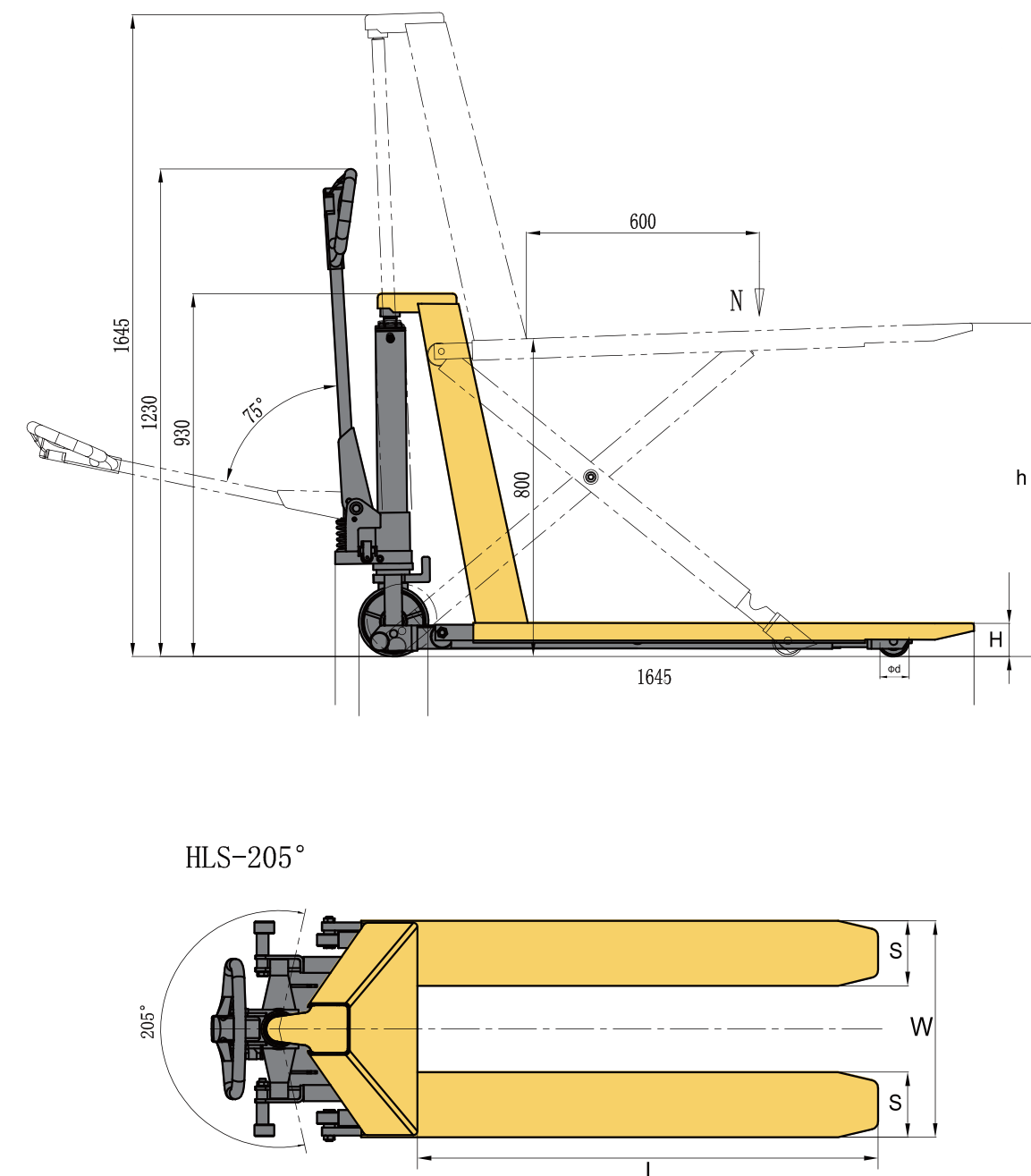


## MANUAL HIGH LIFT PALLET TRUCK

# ESLT

Scissor lift pallet truck design to load and unload conveyor, feed presses, or any applications requiring moving and positioning pallets or containers of materials.



MODEL			ESLT1000	ESLT1500	SESLT1000	SESLT1500
1.1	Capacity	kg	1000	1000	1000	1000
1.2	Min. fork height	H mm	85	85	85	85
1.3	Max.fork height	h mm	800	800	800	800
1.4	Size of fork	s mm	160x50	160x50	160x50	160x50
1.5	Fork overall width	W mm	540/680	540/680	540/680	540/680
1.6	Fork length	L mm	1150	1150	1150	1150
1.7	Size of load wheel	Φd mm	80x70	80x70	80x70	80x70
1.8	Load wheel		Nylon/PU	Nylon/PU	Nylon/PU	Nylon/PU
1.9	Size of steering wheel	ΦD mm	180x50	180x50	180x50	180x50
1.10	Steering wheel		Nylon/PU/Rubber	Nylon/PU/Rubber	Nylon	Nylon
1.11	Pump		Quick Lift	Quick Lift	Quick Lift	Quick Lift
1.12	Weight		113/116	125/130	110/113	123/126
1.13	Material	kg	NORMAL	NORMAL	STAINLESS	STAINLESS

STAINLESS

Equipped with quick lift function doubles the lift speed for loads lighter than 200kg.

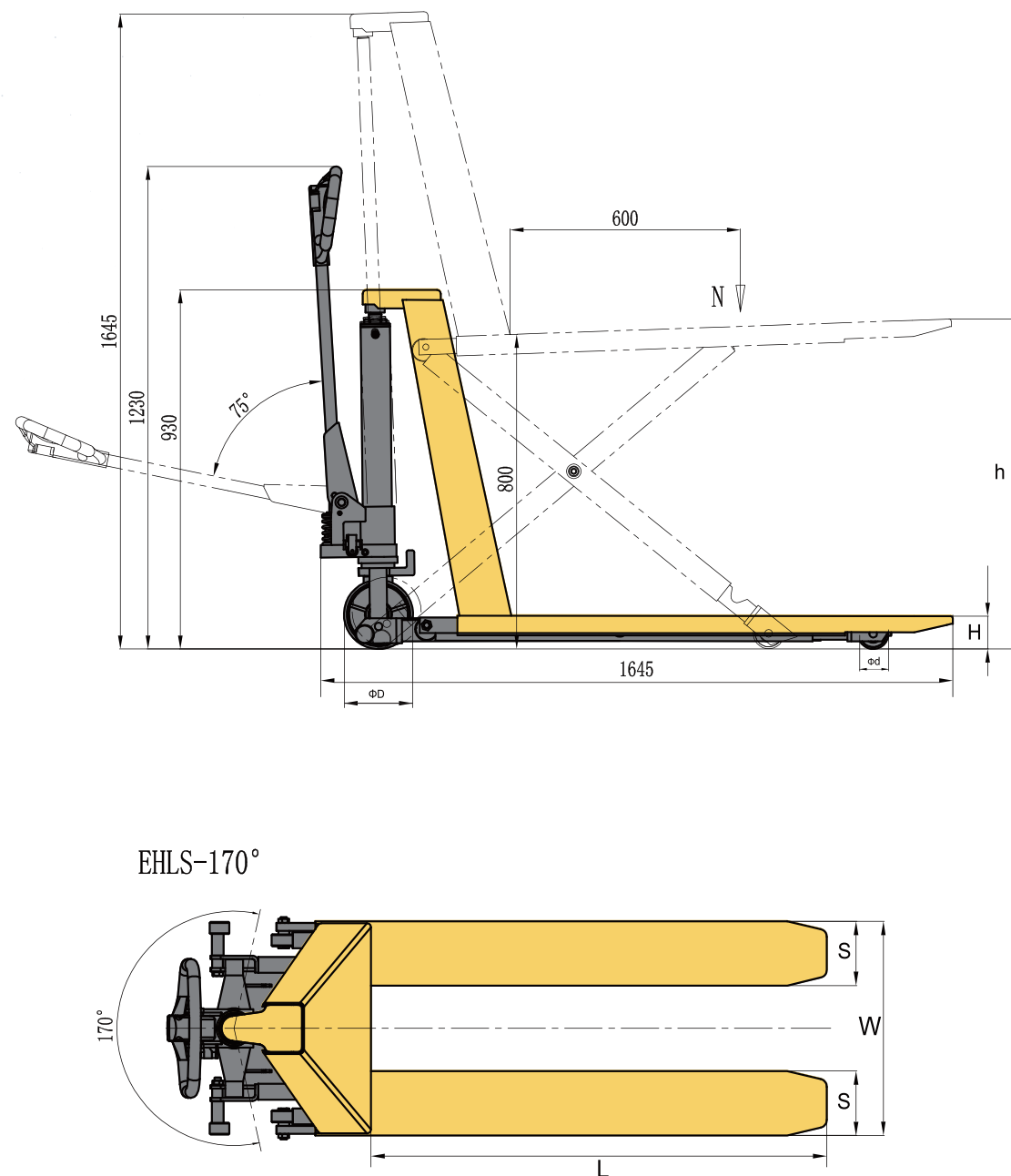
With pressure relief valve and overload valve to prevent pump damages when loads exceeds weight limits.

The enclosed fork tips and reinforced fork frames ensure long service life.



## SEMI ELECTRIC HIGH LIFT PALLET TRUCK

# EHLS



MODEL			EHLS1000N	EHLS1500N	SEHLS1000N	SEHLS1500N
1.1	Capacity	kg	1000	1500	1000	1500
1.2	Min. fork height	H mm	85	85	85	85
1.3	Max.fork height	h mm	800	800	800	800
1.4	Size of fork	s mm	160x50	160x50	160x50	160x50
1.5	Fork overall width	W mm	540/680	540/680	540/680	540/680
1.6	Fork length	L mm	1150	1150	1150	1150
1.7	Size of load wheel	Φd mm	80x70	80x70	80x70	80x70
1.8	Load wheel		Nylon/PU	Nylon/PU	Nylon	Nylon
1.9	Size of steering wheel	ΦD mm	180x50	180x50	180x50	180x50
1.10	Steering wheel		Nylon/PU/Rubber	Nylon/PU/Rubber	Nylon	Nylon
1.11	Battery		12V/65Ah	12V/65Ah	12V/65Ah	12V/65Ah
1.12	Lifting motor power	kw	0.8	0.8	0.8	0.8
1.13	Weight	kg	145/160	157/162	143/148	155/160
1.14	Material		NORMAL	NORMAL	STAINLESS	STAINLESS

Marketed by:

### Accurate Meezan Trading LLC

P.O.Box: 40646, Office # 1909, 19th Floor,  
Churchill Tower 1 - Commercial, Business Bay, Dubai - U.A.E  
Tel.: +971 4 3337789 / +971 4 3337790 Fax: +971 4 3336210  
Email: info.amt@egkantawalla.com

Name & Address of Dealer:

