

VANGO 500/1000

Semi Electric Self-lift Stacker

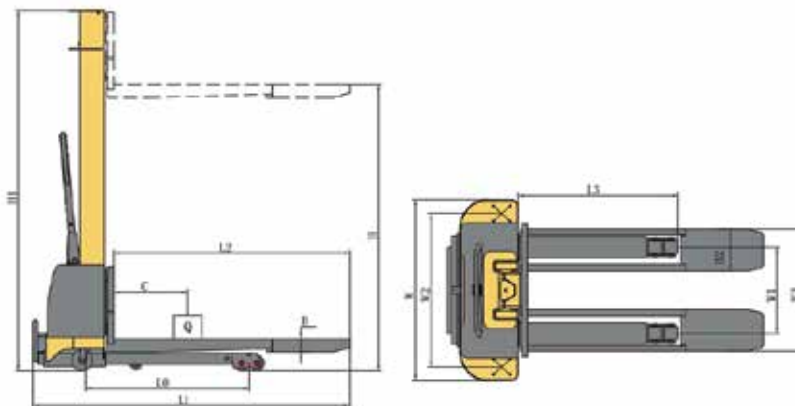
INTRODUCTION

- AN innovation revolutionizes in the field of load transportation with light commercial vehicles.
- FOR replace your tail-lift, hand pallet truck, stacker, ramp etc.
- EASY and quick transport, can load itself onto your van, pick-up, lorry or trailer (wit or w/o load on forks), increases efficiency and makes the deliveries easier and faster.



SPECIFICATIONS

		MODEL		VANGO500	VANGO1000
CHARACTERISTICS					
1.1	Capacity	Q	kg	500	1000
1.2	Load center	C	mm	400	400
1.3	Wheel base	L0	mm	815	787
1.4	Front wheel distance	W1	mm	380	398
1.5	Rear Track	W2	mm	665	708
1.6	Operator type			Walkie	Walkie
WHEELS					
2.1	Wheel type			Nylon	Nylon
2.2	Wheel quantity(steering/loading wheels)		pc	2/2	2/4
2.3	Steering wheel size		mm	Φ70×60	Φ70×60
2.4	Loading wheel size		mm	Φ100×45	Φ100×50
2.5	Middle wheel size		mm	Φ40×25	Φ65×30
SPECIFICATION					
3.1	Max. fork height	H	mm	800/1000/1300	1000/1300
3.2	Overall fork width	W3	mm	535	563
3.3	Fork Length	L2	mm	1150	1150
3.4	Fork width*Fork thickness	B2*B	mm	155×60	192.5×60
3.5	Supporting leg length	L1	mm	780	780
3.6	Overall fork length	L3	mm	1570	1544
3.7	Rear body width	W	mm	786	835
3.8	Mast lowered height	H1	mm	1180/1380/1580	1366/1666
3.9	Mast extend height		mm	1940/2140/2390	2120/2476
3.1	Min. turning radius		mm	1100	1100
PERFORMANCE					
4.1	Lifting speed		mm/s	55	82
4.2	Lowering speed		mm/s	70	66
4.3	Lifting motor		kW	DC0.8	DC1.6
BATTERY					
5.1	Battery voltage	V		12	12
5.2	Battery capacity	Ah		45	45
5.3	Battery weight	kg		13.5	13.5
WEIGHT					
6.1	Weight(including battery)	kg		245	290/305



Marketed by:

Accurate Meezan Trading LLC

P.O.Box: 40646, Office # 1909, 19th Floor,
Churchill Tower 1 - Commercial, Business Bay, Dubai - U.A.E
Tel.: +971 4 3337789 / +971 4 3337790 Fax: +971 4 3336210
Email: info.amt@egkantawalla.com



Name & Address of Dealer: